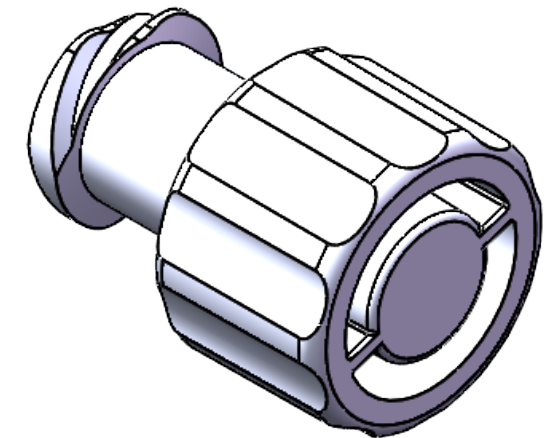
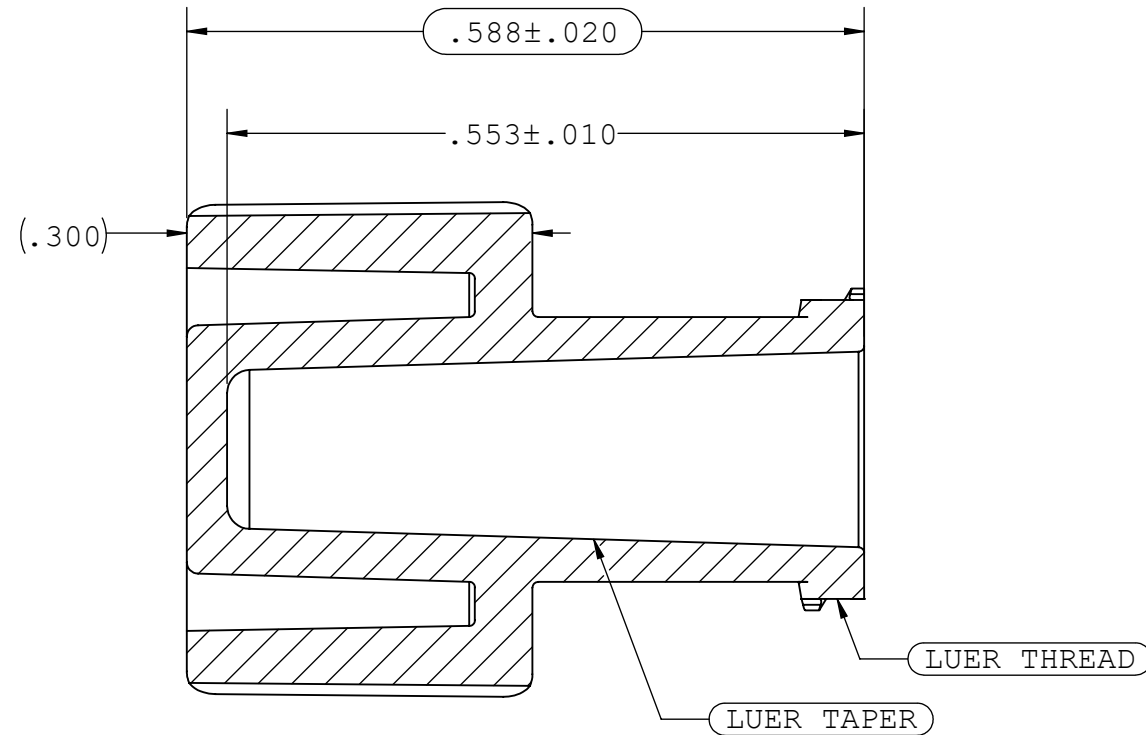
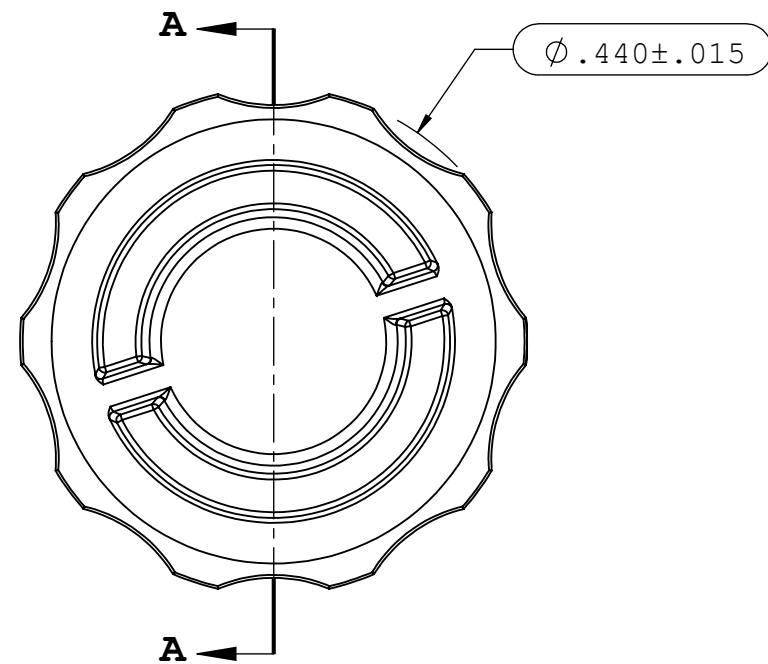


NOTES: FOR ADDITIONAL DETAILS, PLEASE CONTACT VP CUSTOMER SERVICE
 DIMENSIONS MARKED ϕ ARE CONTROL DIMENSIONS

REVISIONS			
REV.	DESCRIPTION	DATE	APPROVED
A	INITIAL RELEASE	09-19-18	FJL
B	ECO 1079499 - ADDED FLOW RIBS	05-20-21	FJL



SECTION A-A

Prepared For: Matex Lab		Attention: Luca Drigo	
Signature	Title	Date	
Signature Indicates Design Approval			
Send Approved Document Via e-mail: kyles@nordsonmedical.com			
For Technical Questions Contact: Sales@valueplastics.com or 970-267-5200			

UNLESS OTHERWISE SPECIFIED DIMENSIONS ARE IN INCHES TOLERANCES ARE:		VALUE PLASTICS, INC				
FRACTIONS	DECIMAL					ANGULAR
±	.XX ±.01	± 1°	PART NUMBER: CF1062			
	.XXX ±.005		DESCRIPTION: Male Integral Lock Ring w/ No Male Luer Taper to Female Luer Thread Style Plug			
	.XXXX ±.001		DO NOT SCALE DRAWING			
DRAWN BY: kyles	DATE: 5/20/2021	SIZE: B	SCALE: NTS	VER:	DWG. NO. 1062976	REV B
MANAGER: Frank.Lombardi		© 2005 VALUE PLASTICS, INC			SHEET: 1 OF 1	

FOR REFERENCE ONLY